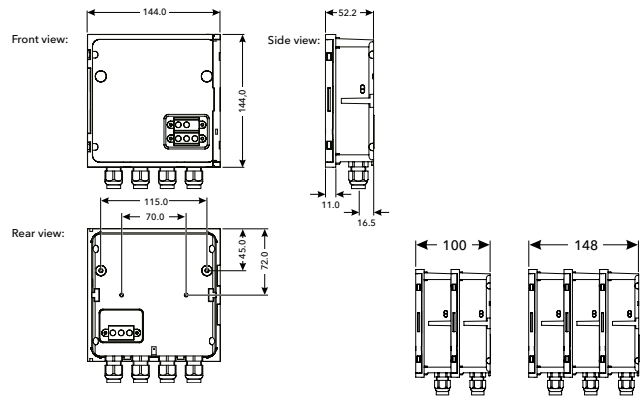


IQ SENSOR NET MIQ modules for system expansion



The IQ SENSOR NET grows with its tasks - modules for individual system expansions with up to 4 IQSN connections and wireless communication

We would like to inform you about the application range on our website



Technical Data

Models	MIQ modules MIQ/JB(R)	MIQ modules MIQ/WL PS (SET)
MIQ Module Coupling at Front	Combined mechanical and electrical connection for rapid docking and removal of the MIQ/TC 2020 3G Terminal/Controller (configured as Terminal) and for docking additional modules	
MIQ Module Coupling at Rear	Combined mechanical and electrical connection, for rapid coupling to MIQ modules, up to 3 modules as a stack mounted unit possible	
Cable Feeds	4 screw cable glands M 16 x 1.5	
Terminal Connections	Screw terminal strips Terminal area for solid conductors: 0.2 ... 4.0 mm ² Terminal area for flexible conductors: 0.2 ... 2.5 mm ² accessible by opening cover	
IQ SENSOR NET Terminal Connections	Terminal connections for the IQ SENSOR NET are available on each module and can be used as required: - for connecting sensors - as an input/output or for looping through/branching of the IQ SENSOR NET cable	
Other Functions	Two LEDs, yellow and red, for monitoring the operating voltage of the IQ SENSOR NET; IQ SENSOR NET connection, Integrated local identity function; Integrated switchable terminal resistor (SN terminator)	
Electric Supply	Directly via the IQ SENSOR NET	
Ambient Conditions	Operating temperature: -4 °F ... 131 °F (-20 °C ... +55 °C); Storage temperature: -13 °F ... 149 °F (-25 °C ... +65 °C)	
Housing Material	PC - 20 % GF (polycarbonate with 20 % fiberglass)	
Protection Rating	IP 66	IP 67
	corresponding to NEMA 4X (not for direct conduit connections). Conduits need to be connected with flexible adapters (CC-Box), respectively with adapters CC-PM..	
Dimensions (W x H x D)	5.67 x 5.67 x 2.05 in. (144 x 144 x 52 mm)	
Weight	Approx. 1.1 pounds (0.5 kg)	
Certifications	ETL, cETL (conforms with relevant UL and Canadian standards), CE	
Electromagnetic Compatibility	EN 61326-1, Class B; FCC Class A	
Integrated Overvoltage Protection	According to EN 61326-1 enhanced overvoltage protection for the entire system, implemented in each component	
Connection Medium Cable	IQ SENSOR NET cable SNCIQ or SNCIQ/UG (underground cable with additional PVC coating): 2-wire with shield; 2 x 0.75 mm ² ; Filler cord for easy connection of shield: 0.75 mm ² ; pressure resistant to 10 bar	
Connection Characteristics	Energy and data transfer via 2 wire technique; resistant to reversed polarity; Comprehensive EMC shield control; cable topology within IQ SENSOR NET system as required, e.g. in the form of a line, tree, star, multiple star; Total cable length: max. 1000 m/1094 yds (without signal amplifying), with signal amplifying module MIQ/JBR additional 1000 m/1094 yds (max 3000 m/3282 yds)	
Connection Medium Radio	Radio with a coverage of 109 yds (100 m)	
Connection Characteristics	Data transmission, separate power supply necessary for each island	
Warranty	3 years for defects of quality	

Model	Description	Order No.
MIQ/JB	Modul IQ/Junction Box, for system branching, for system 2020 and 282/284, 4 free IQ SENSOR NET connections	480008
MIQ/JBR	Modul IQ / Junction Box Repeater, for system branching, for system 2020 and 282/284, with active signal preparation	480010
MIQ/WL PS SET	2 MIQ/WL PS radio modules, preconfigured as master and slave, ready to operate	480025
MIQ/WL PS	1 MIQ/WL PS radio module, preconfigured as a slave to expand a radio network	480023

