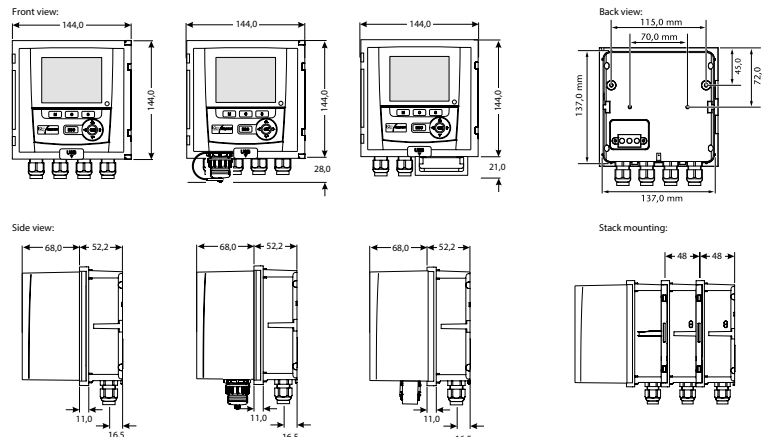


# IQ SENSOR NET DIQ 284



Controller for small and mid-sized wastewater treatment plants including USB-interface and internal data logger- up to 4 sensors, all parameters, available anytime

We would like to inform you about the application range on our website



## Technical Data

<b>Model</b>	<b>Controller DIQ/S 284</b>
<b>Max. number of sensors</b>	4
<b>IQ SENSOR NET connections</b>	DIQ/S 284-CR6(-E) (/24V) 3; all others 2
<b>Outputs</b>	6 x (0) 4 ... 20 mA, 6 x Relays, Ethernet interface for remote access, Ethernet fieldbusses PROFIBUS or Modbus RTU (options see scopes of delivery)
<b>Display</b>	Graphic TFT Display; Resolution: 320 x 240 pixel; backlight
<b>Control Functions/ Function Keys</b>	5 operating keys: measurement (M), calibration (C), set/system settings (S), 3 master keys for functions: 2 keys for: confirmation/switching menu O.K. (OK), escape (ESC) Arrow keys for rapid selection of software functions and input of alpha-numeric values (up), (down)
<b>Electric Supply</b>	100 ... 240 VAC (50/60 Hz), 24 V AC/DC
<b>MIQ Module Coupling at Rear</b>	Combined mechanical and electrical connection, for rapid coupling to MIQ modules, up to 3 modules as a stack mounted unit possible
<b>Cable Feeds</b>	4 screw cable glands M 16 x 1.5 (expandable to M 20 if required)
<b>Terminal Connections</b>	Screw terminal strips; Terminal area for solid conductors: 0.2 ... 4.0 mm <sup>2</sup> Terminal area for flexible conductors: 0.2 ... 2.5 mm <sup>2</sup> ; accessible by opening cover
<b>IQ SENSOR NET Terminal Connections</b>	Terminal connections for the IQ SENSOR NET for connecting sensors
<b>USB interface</b>	USB-A
<b>Datalogger</b>	Data memory for up to 525,600 data sets
<b>Ambient Conditions</b>	Operating temperature: -4 °F ... 131 °F (-20 °C ... +55 °C); Storage temperature: -13 °F ... 149 °F (-25 °C ... +65 °C)
<b>Housing Material</b>	PC - 20 % GF (polycarbonate with 20 % fiberglass)
<b>Protection Rating</b>	IP 67 / corresponding to NEMA 4X (not for direct conduit connections). Conduits need to be connected with flexible adapters (CC-Box), respectively with adapters CC-PM..
<b>Dimensions (W x H x D)</b>	144 x 144 x 173 mm (5.67 x 5.67 x 6.81 in.)
<b>Weight</b>	Approx. 1,7 kg (3.7 pounds)
<b>Certifications</b>	CE
<b>Electromagnetic Compatibility</b>	EN 61326-1, Class A; FCC Class A
<b>Integrated Overvoltage Protection</b>	According to EN 61326-1 enhanced overvoltage protection for the entire system
<b>Connection Medium Cable</b>	IQ SENSOR NET cable SNCIQ or SNCIQ/UG (underground cable with additional PVC coating): 2-wire with shield; 2 x 0.75 mm <sup>2</sup> ; filler cord for easy connection of shield: 0.75 mm <sup>2</sup> ; pressure resistant to 10 bar
<b>Connection Characteristics</b>	Power supply and data transmission on these wires; resistant to polarity reversal with respect to switched shield and inner conductor (no damage); comprehensive EMC shield control; Cable topology within the IQ SENSOR NET system as required, e.g. in the form of a line, tree, star; total cable length max. 250 m (273 yds)
<b>Warranty</b>	3 years for defects of quality

Model	Description	Order No.
<b>DIQ/S 284-CR6</b>	Controller for up to 4 IQ sensors, with 6 Relays, with 6 mA-outputs, 100 ... 240 VAC	472130
<b>DIQ/S 284-PR</b>	Like above, but with 3 Relays, with PROFIBUS-interface (RS 485), 100 ... 240 VAC	472131
<b>DIQ/S 284-MOD</b>	Like above, but with 3 Relays, with MODBUS-interface (RS 485), 100 ... 240 VAC	472132
<b>DIQ/S 284-CR6-E</b>	Like above, but with 6 Relays, with 6 mA-outputs, with Ethernet-interface (RJ 45) for network connection, 100 ... 240 VAC	472133
<b>DIQ/S 284-EF</b>	Like above, but with 3 Relays, with Ethernet-interface (RJ 45) for network connection and fieldbuses (Ethernet/IP, Modbus TCP, PROFINET), 100 ... 240 VAC	472134

All versions available for 24 V AC/DC



Xylem Analytics Germany Sales GmbH & Co. KG, WTW · Am Achalaich 11 · 82362 Weilheim · Germany  
Phone: +49 881 1830 · Fax: +49 881 183-420 · Info.WTW@xylem.com · www.xylemanalytics.com

All names are registered tradenames or trademarks of Xylem Inc. or one of its subsidiaries. Technical changes reserved.  
© 2017 Xylem Analytics Germany Sales GmbH & Co. KG. 999214US