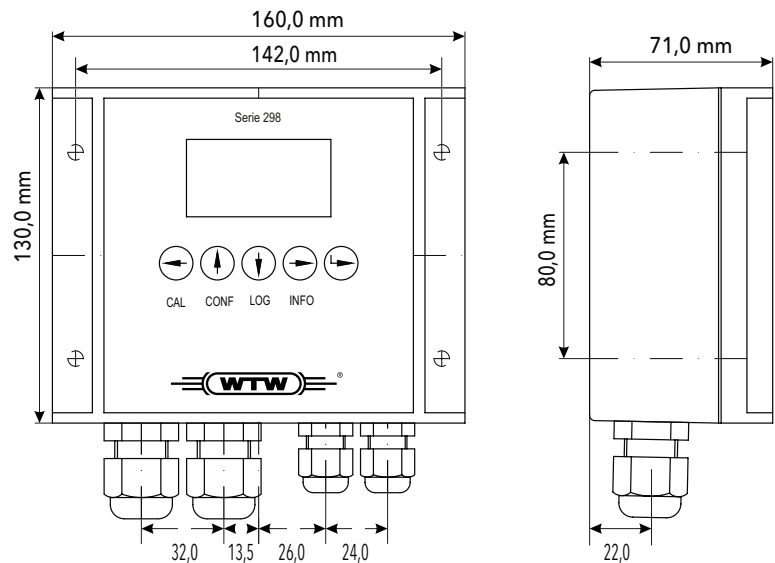


Analog controllers



pH 298, Oxi 298, LF 298 and CI 298 are analog controllers to directly connect analog pH/ORP electrodes, oxygen sensors, conductivity cells and chlorine electrodes.

We would like to inform you about the application range on our website



Technical Data

Model	pH 298	Oxi 298	LF 298	CI 298
Parameter	pH/ORP	Oxygen	Conductivity	Chlorine, electrochemical
Measuring Range	-2 ... 16 pH -2000 ... +2000 mV	0 ... 20 mg/l 0 ... 200 %	0 ... 500 mS/cm, different measuring ranges adjustabel	0 ... 2 mg/l
Temperature Measurement*)	-10 ... 130 °C NTC or Pt1000 or Pt100	-10 ... 130 °C NTC or Pt1000		-10 ... 130 °C Pt1000
Temperature Compensation	Automatically via temperature measurement in the sensor or via manual input			
Relays	2 x switching contacts, change-over, max. 250 VAC / 5 A			
Current Outputs	2 x 0(4) ... 20 mA			
Digital Interface	Modbus / RS485 USB (for configuration, calibration, data recording)			
Display	OLED (128 x 64 pixel) with plain text menue			
Data Logger	Integrated with real time clock for 4000 datasets, storable via USB, grafical display			
Electric Supply	100 ... 240 V AC or 18 ... 36 V DC			
Ambient Conditions	Operational temperature: -10 ... 55 °C			
Housing Material	Cast Aluminium for wall mounting			
Protection Rating	IP 65			
Weight	2 kg			
Warranty	3 years on defects in quality according to § 10 terms of condition			

*) Please note: The permitted operating voltage of the sensor can vary considerably

Model	Description	Order No.
pH 298 NTC	Analog controller to measure pH/ORP, 230 V (and 115 V) and NTC	191230
pH 298 Pt100	Analog controller to measure pH/ORP, 230 V (and 115 V) and Pt100	191232
pH 298 Pt1000	Analog controller to measure pH/ORP, 230 V (and 115 V) and Pt1000	191234
Oxi 298 NTC	Analog controller to measure oxygen, 230 V (and 115 V) and NTC	291230
Oxi 298 Pt1000	Analog controller to measure oxygen, 230 V (and 115 V) and Pt1000	291234
LF 298 NTC	Analog controller to measure conductivity, 230 V (and 115 V) and NTC	391230
LF 298 Pt1000	Analog controller to measure conductivity, 230 V (and 115 V) and Pt1000	391234
CI 298 Pt1000	Analog controller to measure chlorine, 230 V (and 115 V) and Pt1000	801254

24V versions available upon request



Xylem Analytics Germany Sales GmbH & Co. KG, WTW · Am Achalaich 11 · 82362 Weilheim · Germany
Phone: +49 881 1830 · Fax: +49 881 183-420 · Info.WTW@xylem.com · www.xylemanalytics.com

All names are registered tradenames or trademarks of Xylem Inc. or one of its subsidiaries. Technical changes reserved.
© 2017 Xylem Analytics Germany Sales GmbH & Co. KG. 999259US