



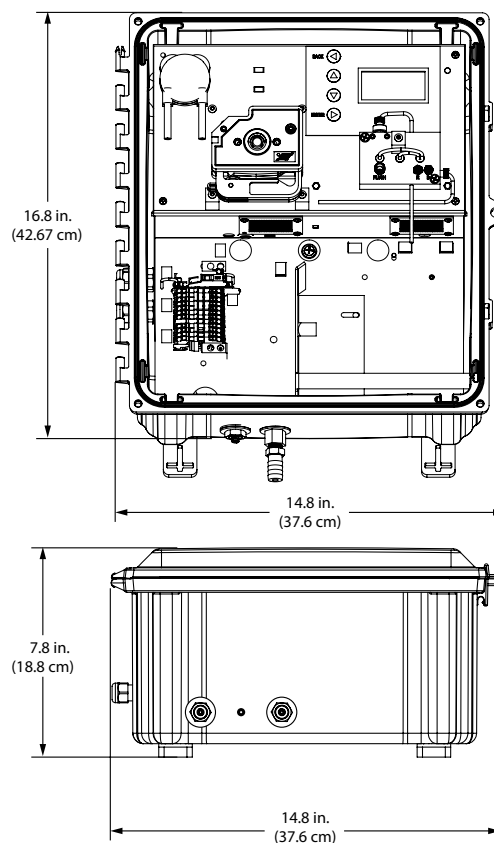
# Chlorine 3017M DPD Chlorine analyzer

## Technical Data

<b>Model</b>	<b>Chlorine 3017M</b>	
<b>Measurement principle / method</b>	Colorimetric with N, N-Diethyl-p-phenylenediamine (DPD)	
<b>Measurement Range</b>	0 ... 5 mg/l free or total chlorine, reagent dependent	
<b>Resolution</b>	0.01 mg/l	
<b>Accuracy</b>	±0.03 mg/l or ±5%, whichever is greater	
<b>Limit of Detection</b>	0.03 mg/l	
<b>Measurement Interval</b>	Programmable; 2.5 ... 60 minutes	
<b>Sample Temperature</b>	5 ... 45 °C (41 ... 113 °F)	
<b>Sample Flow Rate to Sample Inlet Device</b>	50 ... 1,000 ml/min when using Sample Inlet Device	
<b>Inlet pressure</b>	0.07 ... 1.40 bar (1 ... 20 psi) with Sample Inlet Device	
<b>Reagent Consumption</b>	~30 days per bottle at a 2.5 minute measurement interval	
<b>Calibration</b>	Factory calibrated, 1-point if required	
<b>Display</b>	2.8 x 6 cm backlit LCD	
<b>Mounting</b>	4 mounting struts bolted to back of unit	
<b>Regulatory Compliance</b>	US EPA regulations 40 CFR 141.74 and 40 CFR 136.3; Standard method 4500-CL-G; US EPA method 334.0; ISO method 7393-2	
<b>Language</b>	English, French, German, Italian, Spanish	
<b>Reagent Storage Life (before hydration)</b>	Buffer and indicator: 5 years DPD powder: 1 year	
<b>Reagent Storage Life (after hydration)</b>	~30-40 days	
<b>Power</b>	115-230 VAC, 50-60 Hz, 70 VA	
<b>Relays</b>	Two relays rated at 6A, 30 VDC	
<b>Analog Output</b>	One 4-20 mA configurable output	
<b>Digital Output</b>	RS-485 Modbus RTU	
<b>Light Source</b>	Class 1 LED; wavelength centered at 525 nm	
<b>Light Path Length</b>	>1 cm	
<b>Environmental conditions</b>	Storage Temperature Range: 5 ... 70 °C (41 ... 158 °F) Operating Temperature Range: 5 ... 55 °C (41 ... 131 °F) Relative Humidity: 90% at 40 °C non-condensing	
<b>Certification</b>	CE, cETLus	
<b>Mechanics</b>	Enclosure:	Polycarbonate
	Flow cell Assembly:	CPVC
	Sample pump assembly:	PA12 is Polyamide12 and POM is Polyacetal
	Reagent pump assembly:	Cyanoacrylate body and Stainless steel rollers
	Fan assembly:	Acrylonitrile Butadiene Styrene (ABS)
	Terminal block:	Polyamide 66 (PA 66)
	Housing:	Designed for IP 66/NEMA 4X
<b>Weight</b>	8 kg (<18 lbs)	
<b>Warranty</b>	2 year warranty	

WTW's 3017M DPD chlorine analyzer continuously monitors free or total chlorine in drinking water or wastewater applications using the ISO and EPA approved DPD colorimetric method.

We would like to inform you about the application range on our website



Model	Description	Order No.
<b>Chlorine 3017M</b>	DPD Chlorine Analyzer	860151
<b>CLDF-Kit 30</b>	Reagent kit for Free Chlorine	860160
<b>CLDT-Kit 30</b>	Reagent kit for Total Chlorine	860165
<b>RT-Kit</b>	Replacement Tubing kit for the Chlorine 3017M	860181
<b>FC-Kit</b>	Glass Flow cell with O-Rings 3017M	860186
<b>RC-Kit</b>	Reagent caps, 2 each, 3017M	860187
<b>SID-Kit</b>	Sample Inlet Device Kit	860188