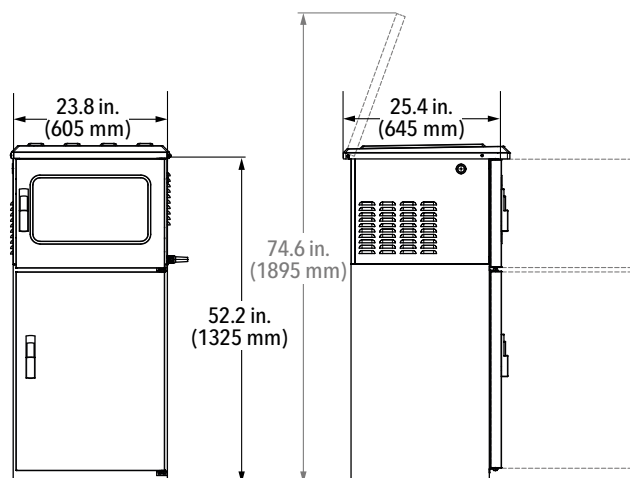




Stationary sampler

Whether time- or event-controlled: The stationary samplers can be installed at any measuring point. Due to the robust stainless steel housing, the samplers are particularly resistant and take your important samples in any weather.

We would like to inform you about the application range on our website.



Technical Data

Model	PB-S/1	PB-S/R12	PB-S/R24
Sampling method	Vacuum-System		
Sampling fractioning*	Composite container (PE): 1 x 52.5 pt. (25 l)	Bottles (PE): 12 x 6.1 pt. (2.9 l)	Bottles (PE): 24 x 2.1 pt. (1 l)
Dosing	0.042 ... 0.735 p. (20 ... 350 ml)		
Sampling modes	Time-, amount-, flow-(optional), event-dependent or manual		
Volume accuracy	< 2,5 % or ± 0.0063 pt. (3 ml)		
Sampling temperature	+32 ... +104 °F (0 ... +40 °C)		
Ambient temperature	-4 ... +109 °F (-20 ... 43 °C)		
Suction height	Max. 26,25 ft. (8 m) at 1013hPa		
Suction tube	PVC, L = 24 ft. (7.5 m), ID = 0.47 in. (12 mm), fabric reinforced**		
Signal inputs	2 x 0(4) ... 20 mA 8 x digital (amount, event, freely programmable)		
Signal outputs	8 x digital, thereof 1 x collective fault signal		
Programming	12 programs (freely programmable)		
Program start	Immediately, at a certain time, by an external signal		
Program stop	End of sampling program, at a certain time, after one program run, continuous operation or x-runs		
Pause mode	Interruption of program run at any time		
Languages	Multi-language, selectable		
Status messages	1x collective fault signal, expandable to 8 (freely programmable)		
Data logging	3000 entries, nonvolatile data memory, storage of sampling and malfunction data (sampling extraction, bottle changes, messages, messages, external signals)		
Interfaces	Mini USB, RS232		
Housing	Double-walled stainless steel (material 1.4301/ SS304) / PS / PC (GF10) with 40 mm insulation. Housing separated in sample compartment and control compartment. Protective top made of Styrosun		
Wetted materials	PC, PVC, Silicone, PS, PE, EPDM		
Weight	220.5 lb (100 kg)		
Power supply	230V		
Standards	CE, sampling according to ISO 5667-2/3-10		
Protection Rating	IP65		
Warranty	2 years on defects in quality according to § 10 terms of conditions		

* further configurations on request

** expandable per meter, max. length 98 ft (30 m)

Model	Description	Order No.
PB-S/1	Sampler 230 V/50 Hz, with stainless steel housing, with 1 x 52.5 pt. (25 l) PE sample container	503225
PB-S/R12	Sampler 230 V/50 Hz, with stainless steel housing, with 12 x 6.1 pt. (2.9 l) PE sample container	503228
PB-S/R24	Sampler 230 V/50 Hz, with stainless steel housing, with 24 x 2.1 pt. (1 l) PE sample container	503230
VARDP/PB-S	Variable volume dosing unit (VAR) for sampling from 5 - 250 ml (additional price)	503392