



Alyza IQ: The Simple choice for PO₄ and NH₄ Analyzers



a xylem brand

How much reagent does

Less Reagents

Minimized reagent consumption and waste

Simple Service

Regular maintenance takes just 10 minutes every 3 months

Better Data

Reliable results from low to high measuring levels

TresCon®



Simple Service

Built with Service in mind, all service items can be quickly and easily exchanged without calling a service technician or service contracts.



Long Life Reagents

Easy and safe reagent replacement with no-drip reagent pouches.

your analyzer use?

P700IQ



Alyza IQ

The advantages

- Measurement of PO₄ or NH₄
- High accuracy at low measuring ranges
- Extremely low reagent consumption
- Connectable to the IQ SENSOR NET (provides 10 W)
- Installation of PO₄ and NH₄ analyzer directly at the basin
- One- and Two-channel versions available
- Safe and easy replacement of reagents
- Optimized user interface and self diagnostics
- Minimum maintenance and easy handling

CONTROLLER	03 July 2018	15:16	🗑️	⚠️	🔍
S01/S02 Alyza IQ PO4					
◀ Settings Maintenance Status Remaining ▶					
Last measurement					
15:05		15:10			
1.12 mg/L		1.12 mg/L			
PO4-P		PO4-P			
S01: 22222222		S02: 22222222			
S01: 22222222					
Measuring (approx. 5 minutes): Mixing					
Select ⬅➡, exit with ESC					

Clear Information

Clear measurement menu - even for 2 channel versions and monitoring of reagent life time.

CONTROLLER	03 July 2018	15:22	🗑️	⚠️	🔍
S01 Alyza IQ NH4 11111111					
◀ Settings Maintenance Status Remaining ▶					
Days (approx.)					
Mixing unit:	178				
Reagents:	108	A	██████████		
		B	██████████		
		C	██████████		
Standard solutions:	167	1	██████████		
		2	██████████		
Cleaning solution:	31	██████████			
Attention: The quoted availability periods are only correct if replacement was done in the maintenance menu!					
Select ⬅➡, exit with ESC					



The Alyza IQ is fully integrated into the IQ SENSOR NET as a sensor. The new analyzer can be operated in the system 2020 and the System 282/284.

Learn more about IQ SENSOR NET on our website:
www.IQ-Sensor.Net



Learn more about Alyza IQ on our website:
www.WTW.com/Alyza-IQ



Ammonium measurement

Method

Indophenol method according to DIN 38 406

As the name suggests, the Indophenol method results in a blue coloration of the sample. The color is generated by the reaction of ammonium ions from the sample with hypochlorite ions and carbolic acid or a carbolic acid derivative under alkaline conditions (pH approx. 12.6). For acceleration of the reaction, a catalyst is used. The reaction can be sped up further by increasing the temperature of the reaction solution. The colored sample then is analyzed photometrically in the red spectral range. The higher the ammonium concentration, the more intense the blue coloration.

Fields of application

Wastewater treatment plant effluent monitoring

- High measuring accuracies even at low concentrations
- Easy handling due to optimized user interface
- Increased employee protection by safe exchange of reagents



River monitoring

- Long lifetime of reagents due to minimum consumption
- Minimal maintenance effort reduces work and travel times
- Full remote access via IQ WEB CONNECT, at any time



Orthophosphate measurement

Method

Molybdate-Vanadate method (Yellow method)

In the Molybdate Vanadate process, Orthophosphate (dissolved PO_4^{3-}) is detected. Thereby, a color reagent consisting of Molybdate and Vanadate is added to the sample. Under acid conditions, the PO_4^{3-} ions are integrated into the generated polyanions. The intensity of the occurring yellow color depends on the concentration of PO_4^{3-} . Subsequently, the sample is analyzed in the photometer at approx. 420 nm.

Fields of application

Precipitation control

- Automatic cleaning reduces maintenance effort and increases operational safety
- Reduction of precipitant costs without overdosing by reliable and fast measurement
- One instrument for up to two sample streams



Wastewater treatment plant effluent monitoring

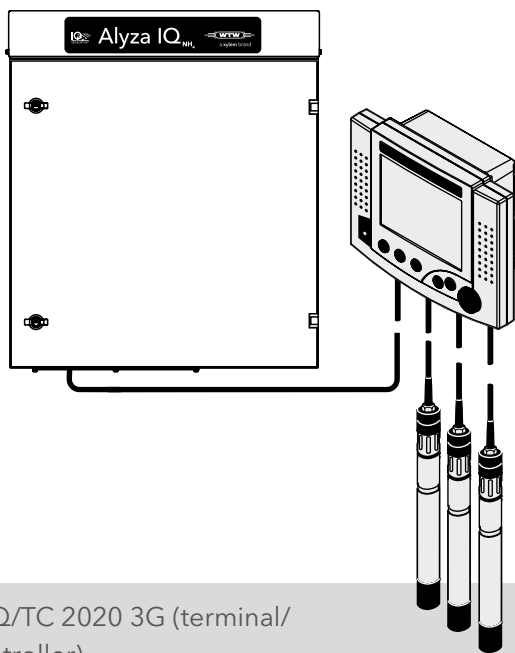
- Precise results via automatic 1- and 2-point calibration
- Easier everyday life due to self diagnostics with display of reagent lifetime
- Requirements for further decreasing effluent values are not a problem due to low measuring range



Configuration examples Alyza IQ in IQ SENSOR NET

Example 1 - System 2020

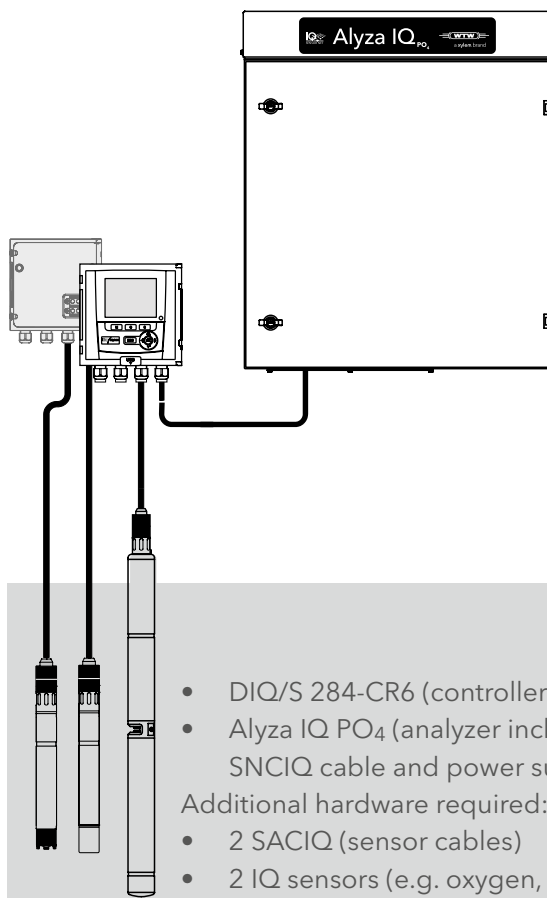
Example configuration	Order no.
MIQ/TC 2020 3G	470022
MIQ/JB	480008
SACIQ-7,0	480042
IQ Sensors	user selected



- MIQ/TC 2020 3G (terminal/controller)
 - MIQ/JB (module for system expansion)
 - Alyza IQ NH₄ (Analyzer incl. SNCIQ cable and power supply)
- Additional hardware required:
- 3 SACIQ (sensor cables)
 - 3 IQ sensors (e.g. turbidity, pH, oxygen)

Example 2 - System 282/284

Example configuration	Order no.
DIQ/S 284-CR6	472130
MIQ/JB	480008
SACIQ-7,0	480042
IQ Sensors	user selected



- DIQ/S 284-CR6 (controller)
 - Alyza IQ PO₄ (analyzer incl. SNCIQ cable and power supply)
- Additional hardware required:
- 2 SACIQ (sensor cables)
 - 2 IQ sensors (e.g. oxygen, NH₄)
 - 1 IQ spectral sensor (e.g. COD)

Neither example 1 nor example 2 needs a power supply module MIQ/PS, as the Alyza IQ provides 10W to the systems.

Technical data

Model	Alyza IQ NH ₄	Alyza IQ PO ₄
Measurement method	Berthelot method (Indophenol method)	Moybdate-Vanadate method (Yellow method)
Measurement range	Two measuring ranges	One measuring range
	MR1: 0.02 ... 4.00 mg/l NH ₄ -N Displayed: 0.00 ... 4.00 mg/l NH ₄ -N Resolution: 0.01 mg/l NH ₄ -N Accuracy: ± 3 % ± 0.02 mg/l	0.02 ... 15.00 mg/l PO ₄ -P 0.00 ... 15.00 mg/l PO ₄ -P 0.01 mg/l PO ₄ -P ± 2 % ± 0.02 mg/l
	MR2: 0.10 ... 20.00 mg/l NH ₄ -N Displayed: 0.00 ... 20.00 mg/l NH ₄ -N Resolution: 0.05 mg/l NH ₄ -N Accuracy: ± 3 % ± 0.10 mg/l	0.2 ... 50.0 mg/l PO ₄ -P 0.0 ... 50.0 mg/l PO ₄ -P 0.05 mg/l PO ₄ -P ± 2 % ± 0.2 mg/l
Sample streams/channels	1- and 2-channel versions available	
Cleaning	Automatic cleaning with cleaning solutions	
Calibration	Automatic 1- and 2-point calibrations	
Operational temperature	-4 ... 104 °F (-20 ... +40) °C	

For further technical data please see datasheets D2.24 and D2.25

Order information

Model	Description	Order no.
Alyza IQ for Ammonium measurement		
Alyza IQ NH₄-111	NH ₄ analyzer, 1-channel, with 2 measuring ranges, Indophenol method, connectable to IQ SENSOR NET Systems 2020 and 282/284, provides 10 W to the IQ SENSOR NET; including 2m SNCIQ cable; reagent sets need to be ordered separately	825011
Alyza IQ NH₄-112	NH ₄ analyzer, 2-channel, with 2 measuring ranges, Indophenol method, connectable to IQ SENSOR NET Systems 2020 and 282/284, provides 10 W to the IQ SENSOR NET; including 2m SNCIQ cable; reagent sets need to be ordered separately	825012
Reagent sets		
R-Set NH₄/1-1	Reagents for Alyza IQ NH ₄ , when using MR1	827540
R-Set NH₄/1-2	Reagents for Alyza IQ NH ₄ , when using MR2	827541
SC-Set NH₄/1-1_0/1	Calibration standards and cleaning solution for Alyza IQ NH ₄ , when using MR1; Calibration standards with 0 mg/l and 1 mg/l	827545
SC-Set NH₄/1-1_0/4	Calibration standards and cleaning solution for Alyza IQ NH ₄ , when using MR1; Calibration standards with 0 mg/l and 4 mg/l	827546
SC-Set NH₄/1-2_0/16	Calibration standards and cleaning solution for Alyza IQ NH ₄ , when using MR2; Calibration standards with 0 mg/l and 16 mg/l	827547
Alyza IQ for Orthophosphate measurement		
Alyza IQ PO₄-111	PO ₄ analyzer, 1-channel, with MR1, yellow method, connectable to IQ SENSOR NET Systems 2020 and 282/284, provides 10 W to the IQ SENSOR NET; including 2 m SNCIQ cable; reagent sets need to be ordered separately	825511
Alyza IQ PO₄-112	PO ₄ analyzer, 2-channel, with MR1, yellow method, connectable to IQ SENSOR NET Systems 2020 and 282/284, provides 10 W to the IQ SENSOR NET; including 2 m SNCIQ cable; reagent sets need to be ordered separately	825512
Alyza IQ PO₄-121	PO ₄ analyzer, 1-channel, with MR2, yellow method, connectable to IQ SENSOR NET Systems 2020 and 282/284, provides 10 W to the IQ SENSOR NET; including 2 m SNCIQ cable; reagent sets need to be ordered separately	825521
Alyza IQ PO₄-122	PO ₄ analyzer, 2-channel, with MR2, yellow method, connectable to IQ SENSOR NET Systems 2020 and 282/284, provides 10 W to the IQ SENSOR NET; including 2 m SNCIQ cable; reagent sets need to be ordered separately	825522
Reagent sets		
R-Set PO₄/1-1	Reagents for Alyza IQ PO ₄ -X1X with MR1	827550
R-Set PO₄/1-2	Reagents for Alyza IQ PO ₄ -X2X with MR2	827551
SC-Set PO₄/1-1_0/1	Calibration standards and cleaning solution for Alyza IQ PO ₄ -X1X with MR1; Calibration standards with 0 mg/l and 1 mg/l	827555
SC-Set PO₄/1-1_0/10	Calibration standards and cleaning solution for Alyza IQ PO ₄ -X1X with MR1; Calibration standards with 0 mg/l and 10 mg/l	827556
SC-Set PO₄/1-2_10/40	Calibration standards and cleaning solution for Alyza IQ PO ₄ -X2X with MR2; Calibration standards with 10 mg/l and 40 mg/l	827557

Xylem |'zīləm|

- 1) The tissue in plants that brings water upward from the roots;
- 2) a leading global water technology company.

We're a global team unified in a common purpose: creating advanced technology solutions to the world's water challenges. Developing new technologies that will improve the way water is used, conserved, and re-used in the future is central to our work. Our products and services move, treat, analyze, monitor and return water to the environment, in public utility, industrial, residential and commercial building services settings. Xylem also provides a leading portfolio of smart metering, network technologies and advanced analytics solutions for water, electric and gas utilities. In more than 150 countries, we have strong, long-standing relationships with customers who know us for our powerful combination of leading product brands and applications expertise with a strong focus on developing comprehensive, sustainable solutions.

For more information on how Xylem can help you, go to www.xylem.com



Regional Sales Offices

UK: Xylem Analytics UK Limited Tel +44 1462 673581 salesuk@xylem.com www.xylemanalytics.co.uk	Asia: Xylem Analytics Japan Tel +81 (0)44-222-0009 ysijapan.support@xylem.com www.xylem-analytics.jp	Middle East & Africa: Xylem Analytics Middle East & Africa Tel +971 4 806 1000 Info.MEA@Xylem.com www.xylemanalytics.com
Australia: Xylem Analytics Australia Tel +61 1300 995362 salesAus@xylem.com www.xylem-analytics.com.au	China: Xylem Analytics (Beijing) Co., Ltd Tel +86 10 5785 2266 Xylemanalytics.China@xylem.com www.xylemanalytics.cn	<i>Visit our website for more contact info</i>

Connect with us:



/wtw.wm



/wtwgmbhinternational

wtw.com/en/newsletter



Xylem Analytics Germany Sales GmbH & Co. KG, WTW
Dr.-Karl-Slevogt-Straße 1
82362 Weilheim, Germany
Tel +49 881 183-0
Fax +49 881 183-420
Info.WTW@Xylem.com
www.WTW.com